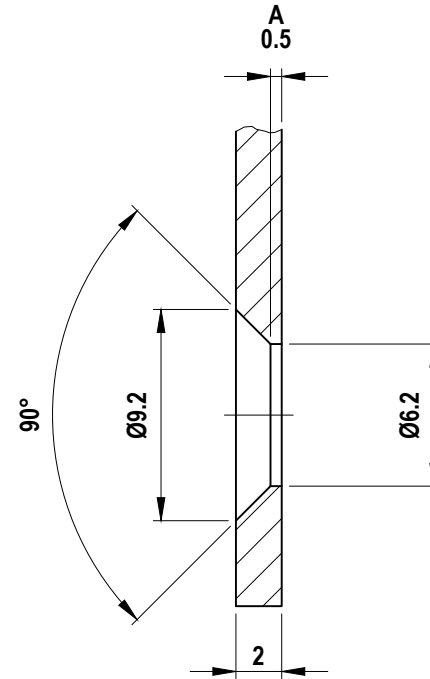
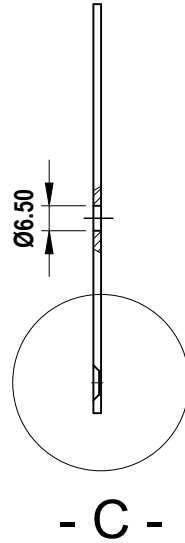
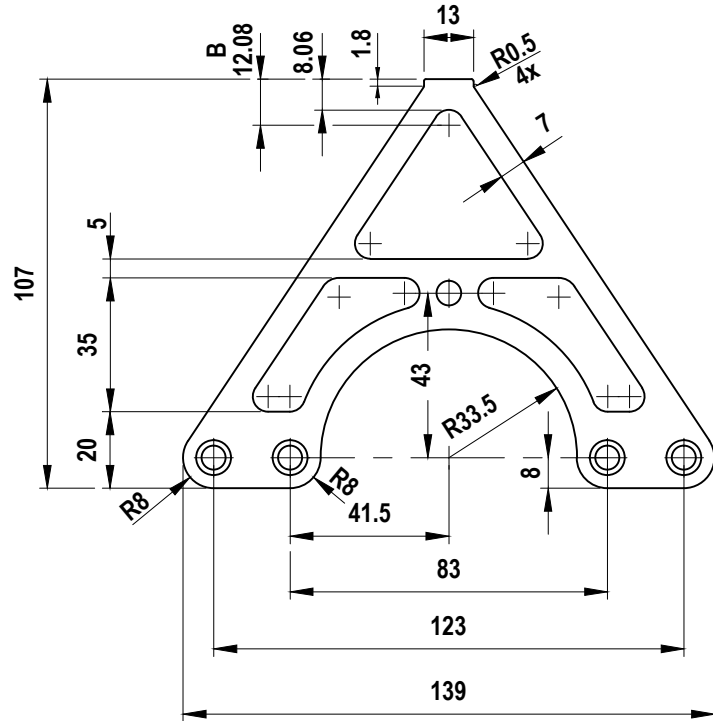


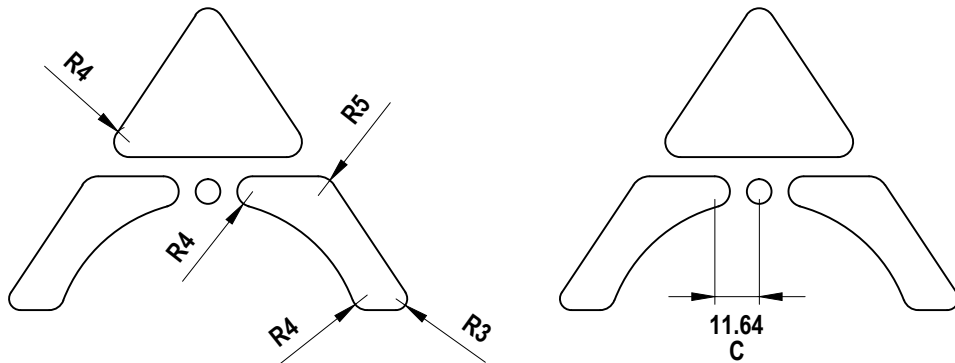
General Tolerances

Linear
± 0.125

Angular
± 0.25°



DETAIL -C-
SCALE 3:1



| | | | | |
|----------|----------|------|------------------|----------|
| REV. No: | DCR. No: | Date | Revision Details | Approved |
| | | | | |

| | | | | | |
|---|-----------------|------------------------------|-------------------------------|--|---------|
| STAINLESS STEEL 304 | | SMOOTH - NO DENTS | | REMOVE ALL BURRS & SHARP EDGES | |
| MATERIAL DESCRIPTION | | | FINISH | | REMARKS |
| General Tolerances | | DWN. | Dipun C.K. | | |
| Linear | Angular | CHD. | Mithun K.P. | | |
| 0.0 - ± 0.2 | 0.0 - ± 0.5° | DESN. | Shaanxi Pengjin material Ltd. | | |
| 0.00 - ± 0.02 | 0.00 - ± 0.1° | APVD. | | | |
| 0.000 - ± 0.003 | 0.000 - ± 0.05° | TITLE: | | FILE LOCATION: C:\ Our Company Part Drawings | |
| Geometrical Dimensioning and Tolerances are as per ISO 8015 & ISO1101 | | PART 1 | | | |
| All dimensions are in Millimeters | | CUSTOMER PART DRAWING. NO: | | ATC PART DRAWING NO: | |
| PROJECTION | | - | | PSD-776-00-00-14 | |
| FORMAT | | ATC CONFIDENTIAL INFORMATION | | SCALE: 1:2 | |
| A4 | | - | | SHEET: 1 OF 1 | |
| | | | | REV. 00 | |